

1

2

3

4

A

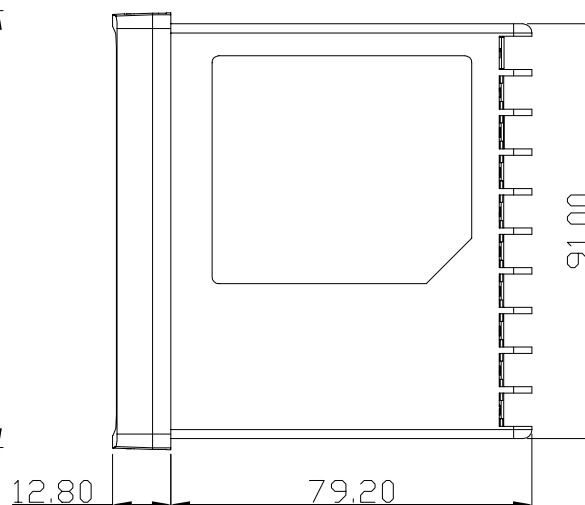
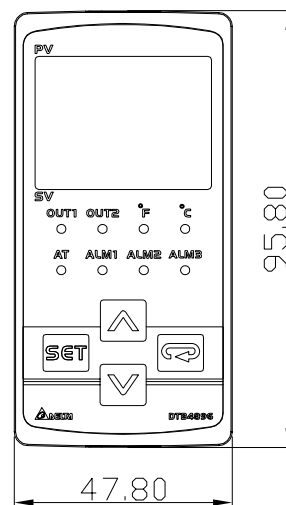
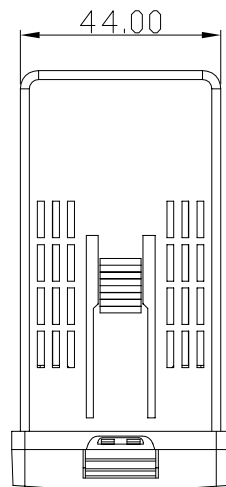
A

B

B

C

C



DIMENSIONAL TOLERANCES

	()	()	()	()	ANGLES	
DECIMALS	<50 ±0.1	<50 ±0.15	<50 ±0.2	<50 ±0.25	<30° ±0.1°	>30°~60° ±0.3°
X	>50~100 ±0.15	>50~100 ±0.2	>50~100 ±0.25	>50~100 ±0.3	>30°~60° ±0.3°	>60°~90° ±0.5°
X.X	>100~200 ±0.2	>100~200 ±0.25	>100~200 ±0.3	>100~200 ±0.3	>60°~90° ±0.5°	
X.XX	>200~ ±0.2%	>200~ ±0.25%	>200~ ±0.3%	>200~ ±0.3%		

DRAWN:

A4

DRAWING NAME:

DESIGN:

SIZE

4896

DATE: 06/16/2008



PART NO.:

REV.

ECN NO.

THIRD ANGLE PROJECTION

USED ON

00

THESE DRAWINGS AND SPECIFICATIONS ARE THE PROPERTY OF DELTA ELECTRONICS, INC. AND SHALL NOT BE REPRODUCED OR USED AS THE BASIS FOR THE MANUFACTURE OR SELL OF APPARATUSES OR DEVICES WITHOUT PERMISSION.

UNIT	mm	SCALE	F	SHEET 1 OF 1
------	----	-------	---	--------------

4896

1

2

3

4